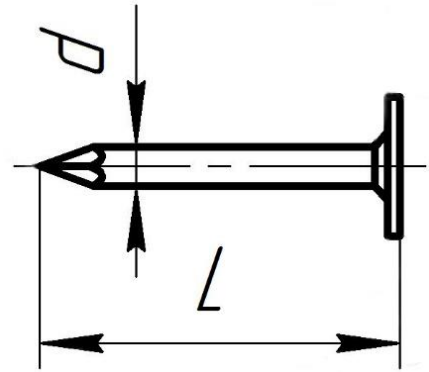


Roofing nail DIN 1160



Name	Size	Feature	Package	Type of Package
Roofing nail	3.1 x 25	no cover	1 / 5 kg	polyethylene package / box
Roofing nail	3.1 x 25	white zinc	1 / 5 kg	polyethylene package / box
Roofing nail	3.1 x 30	no cover	1 / 5 kg	polyethylene package / box
Roofing nail	3.1 x 30	white zinc	1 / 5 kg	polyethylene package / box
Roofing nail	3.1 x 40	no cover	1 / 5 kg	polyethylene package / box
Roofing nail	3.1 x 40	white zinc	1 / 5 kg	polyethylene package / box
Roofing nail	3.1 x 50	no cover	5 kg	box
Roofing nail	3.1 x 50	white zinc	1 / 5 kg	polyethylene package / box
Roofing nail	3.1 x 60	no cover	5 kg	box
Roofing nail	3.1 x 60	white zinc	5 kg	box
Roofing nail (bituminous slate)	2.8 x 70	green	100 pcs	polyethylene package
Roofing nail (bituminous slate)	2.8 x 70	brown	100 pcs	polyethylene package
Roofing nail (bituminous slate)	2.8 x 70	red	100 pcs	polyethylene package